

**UNIVERSAL
SHIELDING
INSULATION
(JUSI)**

**INSTALLATION
INSTRUCTIONS**

(CANADA & UNITED STATES)

The JUSI is installed to stop cold air infiltration into the dwelling.

The JUSI can only be installed in conjunction with an installation of a Wall Thimble (WT), Attic Insulation Shield (AIS) or the Cathedral Ceiling Support of the following Selkirk Insulated Chimney Models: FC, SPR, UT, JM, ALT AND CF.



LISTED

**For Models:
JSC, SPR, UT, CF**

**Tested To:
CAN/ULC-S604
CAN/ULC-S610
CAN/ULC-S629
UL103 Type HT
UL 127**



LISTED

**For Models:
ALT, SC-1, FC**

A MAJOR CAUSE OF CHIMNEY-RELATED FIRES IS FAILURE TO MAINTAIN REQUIRED CLEARANCES (AIR SPACES) TO COMBUSTIBLE MATERIALS.

REFER TO CHIMNEY INSTALLATION INSTRUCTIONS PACKAGED WITH CHIMNEY SUPPORT FOR DETAILED INSTRUCTIONS ON CHIMNEY INSTALLATION.

PLEASE READ ALL INSTRUCTIONS BEFORE BEGINNING YOUR INSTALLATION. FAILURE TO INSTALL THIS COMPONENT IN ACCORDANCE WITH ALL INSTRUCTIONS WILL VOID THE CONDITIONS OF CERTIFICATION AND THE MANUFACTURERS WARRANTY. KEEP THESE INSTRUCTIONS IN A SAFE PLACE FOR FUTURE REFERENCE.

SELKIRK CANADA CORPORATION
375 Green Road,
Stoney Creek, Ontario L8E 4A5
1-888-SELKIRK (735-5475)
Toll Free Fax (866) 835-9624
www.selkirkcanada.com
info@selkirkcanada.com

SELKIRK CORPORATION
P.O. Box 831959,
Richardson, Texas, 75083
1-(800)-992-vent (8368)
Toll Free Fax (877) 393-4145
www.selkirkinc.com
info@selkirkinc.com

The JUSI Insulation is to stop cold air infiltration into the dwelling. The following instructions will guide you for a proper installation with the selected Selkirk Insulated Chimney Models. The JUSI insulation will also provide additional protection against radiant heat from the chimney.

TABLE 1		
Required Cut Length for Models JSC, SPR and UT		
Chimney Size (inner diameter x wall thickness)	Length (L)	
	in.	mm
5 x 1	31½	800
6 x 1	34½	876
7 x 1	37¾	959
8 x 1	41	1041

TABLE 2		
Required Cut Length for Models JM, ALT and CF		
Chimney Size (inner diameter x wall thickness)	Length (L)	
	in.	mm
MODELS JM & ALT	41	1041
6 x 2	41	1041
7 x 2	44	1118
8 x 2	47¼	1200
MODEL CF	42½	1080
6 x 2	42½	1080
7 x 2	46¾	1178
*8 x 2	50¼	1276

* CF Sentinel in 8" diameter will require additional JUSI Insulation for a complete covering.

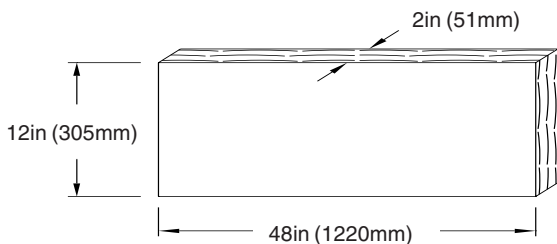


Figure 1 - Dimension of the JUSI Insulation

INSTALLATION PROCEDURES:

Attic Insulation Shield

The JUSI insulation is placed between an Insulated Chimney Length(s) and the inside of the Attic Insulation Shield, fitted snugged to its beveled upper portion.

The 2in (51mm) thick insulation is cut to the appropriate length determined as shown in Tables 1 or 2 and cut to the desired width determined by the installed Attic Insulation Shield (see Figures 2 and 3). The JUSI Insulation can also be placed into the Joist Shield Portion of the AIS for Models UT, JSC, SPR and CF (shown in Figure 3).

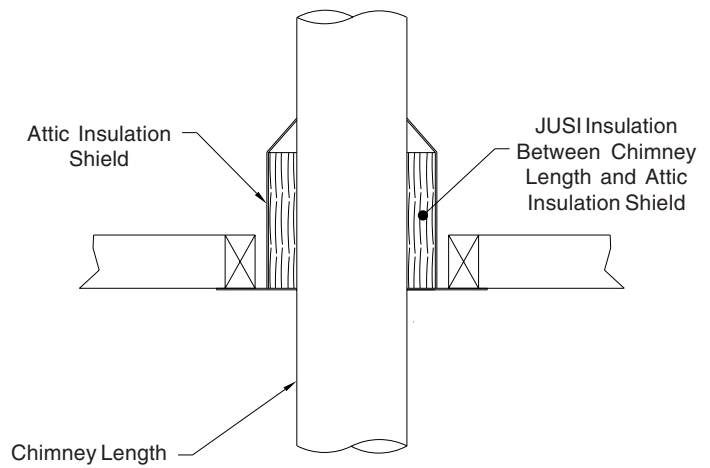


Figure 2 - Attic Insulation Shield Installation for Models JM and ALT

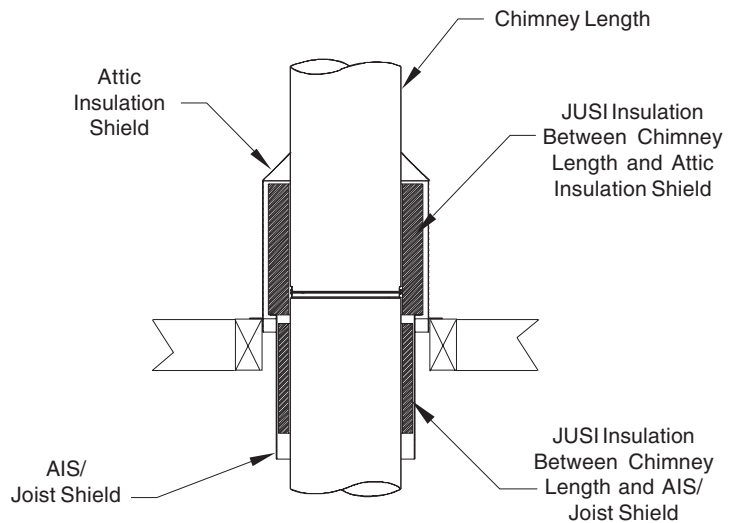


Figure 3 - Attic Insulation Shield/Joist Shield Installation for Models CF, JSC, SPR and UT

Wall Thimble

MODELS JSC - SPR - JM - ALT

Cut a piece of JUSI insulation to 41-3/16in x 4-3/4in (1046mm x 121mm). Once the insulation has been cut to the appropriate size, the thickness of the insulation needs to be cut in half resulting in two equal parts of 1in (25mm) each in thickness (see Fig 4). Place one-half of the insulation around the outside of the inner half of the Wall Thimble, and one-half of the insulation inside of the outer half as per Figure 5. See separate installation instructions packaged with the Wall Support for the installation of the Wall Thimble.

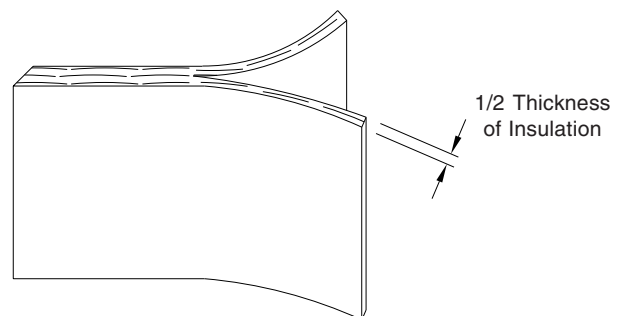
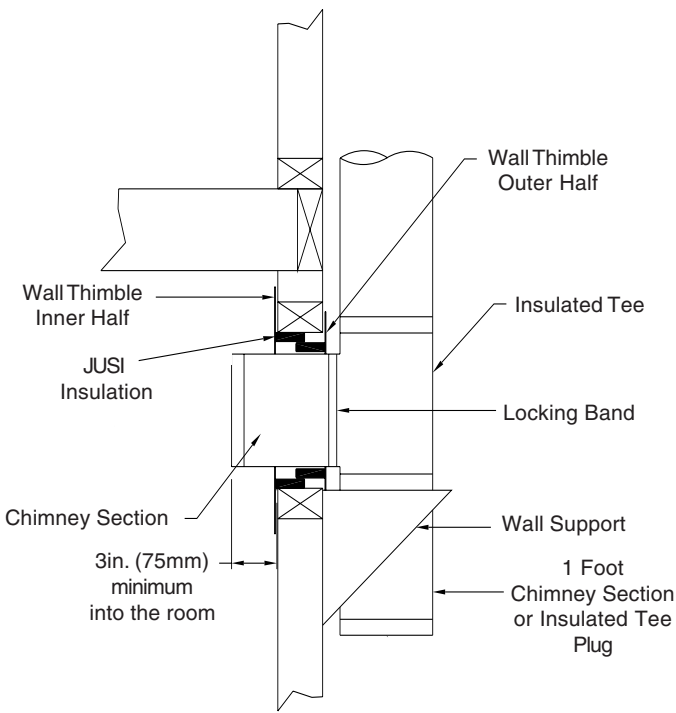


Figure 4 - JUSI Insulation Shown Cut in Half

Figure 7 and 8. Remaining JUSI Insulation is then stuffed in the corner voids between the round shield and the framed opening (Figure 7).



Figures 5 & 6 - Wall Thimble Showing Insulation in place with Models JSC, SPR, JM and ALT

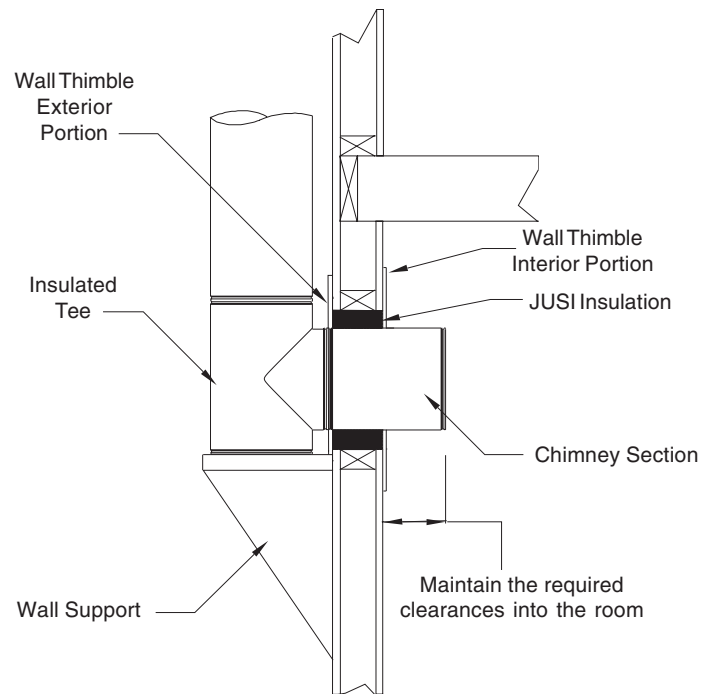
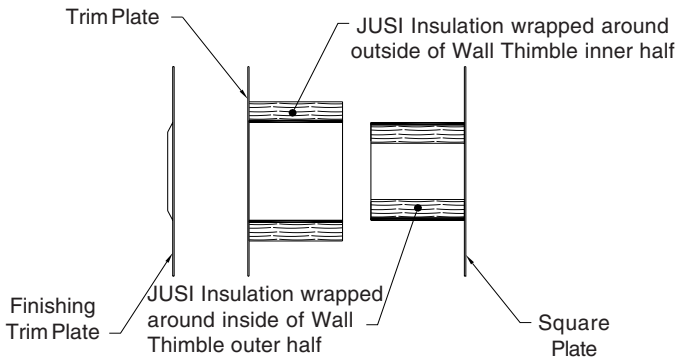


Figure 8 - Wall Thimble Showing Insulation in place with Models UT and CF Sentinel



MODELS UT AND CF SENTINEL

The insertion of the JUSI Insulation is best accomplished once the outer portion of the Wall Thimble, Wall Support, Insulated Tee and the appropriate chimney length attached to the Tee branch has been installed as per the supplied Installation Instructions packaged with the Wall Support.

Cut the JUSI Insulation to the required length determined in Tables 1 or 2. The JUSI Insulation is wrapped between the chimney Length and the outer portion of the outer half of the Wall Thimble as per

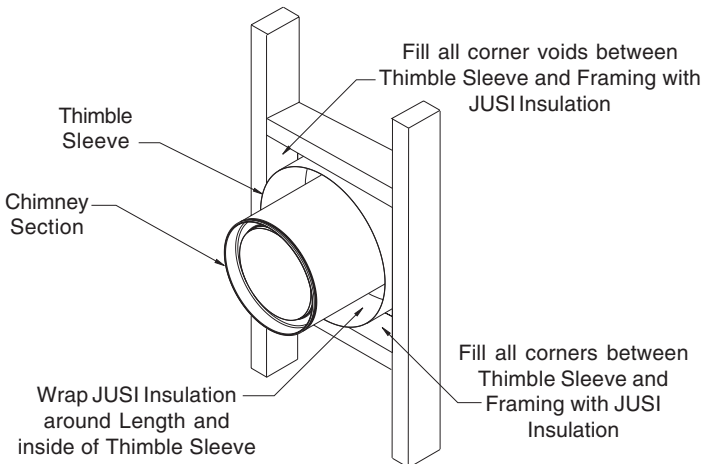


Figure 7 - Placement of JUSI Insulation for Models UT and CF

Cathedral Ceiling Support

The JUSI Insulation is wrapped between the chimney section and the Cathedral Ceiling Support, as shown in figure 9. The wrapped insulation may be placed directly to the underside of the roof. Cut the JUSI Insulation to the required width determined as shown in Tables 1 & 2 for the Model of Insulated Chimney installed.

An installation length in excess of 12in. (305mm) will require additional JUSI Insulation. The corner voids of the Cathedral Ceiling Support may be filled using the remaining insulation.

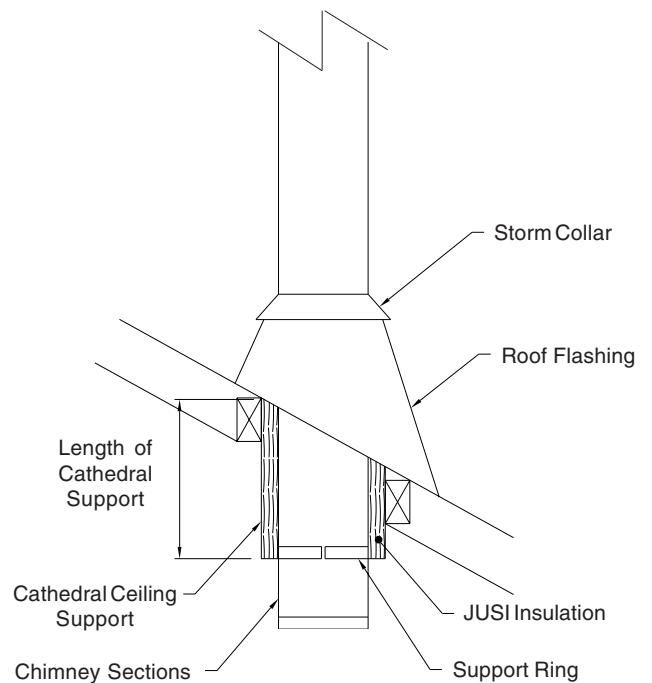


Figure 9 - Cathedral Ceiling Support with JUSI - all Models