

For Use in North America

Tested &
Listed By



OMNI-Test Laboratories, Inc.
227-S-37-6.2

Portland,
Oregon USA

SAFETY NOTICE: IF THIS APPLIANCE IS NOT PROPERLY INSTALLED, OPERATED AND MAINTAINED, A HOUSE FIRE MAY RESULT.

TO REDUCE THE RISK OF FIRE, FOLLOW THE INSTALLATION INSTRUCTIONS. FAILURE TO FOLLOW INSTRUCTIONS MAY RESULT IN PROPERTY DAMAGE, BODILY INJURY OR EVEN DEATH. CONTACT LOCAL BUILDING OFFICIALS ABOUT RESTRICTIONS AND INSTALLATION INSPECTION REQUIREMENTS IN YOUR AREA.

**NATIONAL
FIREPLACE
INSTITUTE**



CERTIFIED
www.nficertified.org

We recommend that our woodburning hearth products be installed and serviced by professionals who are certified in the U.S. by the National Fireplace Institute® (NFI) as NFI Woodburning Specialists or who are certified in Canada by Wood Energy Technical Training (WETT).



The French language version of this manual is available online: www.vermontcastings.com
La version française de ce manuel est disponible en ligne: www.vermontcastings.com

Do Not Discard This Manual: Retain for Future Use

Introduction

Thank you for purchasing a Vermont Castings Merrimack Large Insert, an efficient wood stove carefully engineered to bring you the latest in wood combustion principles and modern foundry technology.

This stove transforms a traditional masonry fireplace into a powerful heater. You can count on years of comfortable heating and pleasurable fire-viewing if you operate and maintain it according to the directions in this Owner's Guide.

This Insert has been tested and listed by OMNI-Test Laboratories of Portland, Oregon to UL1482-1996(R2006) for the United States and ULC S628-93 for Canada. This Insert is listed to, and in compliance with, the standards set forth by the Federal Environmental Protection Agency, 40 CFR Part 60.532(b), as stated on the permanent label attached to the stove.

This manual describes the installation and operation of this Insert. This heater meets the U.S. Environmental Protection Agency's emission limits for wood heaters sold after May 15, 2015. Under specific test conditions this heater has been shown to deliver heat at a rate ranging from 10,750 to 31,780 BTU/hr.

For more complete details on stove performance and specifications, please refer to Page 3.

The Merrimack Large Insert is designed, tested and listed for burning wood. Do not burn other fuels.

Installation or service of the Merrimack Large Insert should be performed only by a qualified installer, preferably NFI or WETT (Canada) certified.

Please read entire manual before you install and use your new Insert.

Failure to follow these instructions may result in property damage, bodily injury or even death.

Table of Contents

→ Specifications	3
Dimensions	4
Installation	5
Smoke Alarm/Safety Tip	9
Operation	10
Maintenance	12
Optional Accessories	17
Replacement Parts	18
→ Warranty	20

→ = Contains updated information

The Merrimack Large Insert is designed, tested and listed for burning wood. Do not burn other fuels.

The Merrimack Large Insert is not listed for mobile home installations.

Failure to follow these instructions may result in property damage, bodily injury or even death.



WARNING

This stove has not been tested with an unvented gas log set. To reduce the risk of fire or injury, do not install an unvented gas log set into this fireplace.

Proposition 65 Warning: Fuels used in gas, woodburning or oil fired appliances, and the products of combustion of such fuels, contain chemicals known to the State of California to cause cancer, birth defects and other reproductive harm.

California Health & Safety Code Sec. 25249.6

Save These Instructions for Future Reference

Specifications

MODEL:	Merrimack Large Insert
LABORATORY:	OMNI Test Laboratories, Inc
REPORT NO.	227-S-37-6.2
TYPE:	Solid Fuel Room Heater / Wood Burning Type
STANDARD(s):	UL 1482-1996 (R2006), ULC-S628-93 (A1997)
ELECTRICAL RATING:	115 VAC, 60 Hz

Area Heated.....1,400 - 2,800 Square feet
Loading..... Front
Chimney Connector:6" (150mm)
Flue Exit Position Top
Primary Air Manually Set
Glass Panels High-Temperature Ceramic
Weight.....480 lbs. (218 kg.)
Blower Rating 150 cfm. (115V, 60Hz)
Power Cord Length6 Foot Usable Installed

EPA Certification Number:	770
EPA Certified Emissions:	3.6 g/hr
*EPA Default Efficiency:	73.0%
**Actual tested Efficiency:	66.8%
***EPA BTU Output:	10,600 - 31,800
****Peak BTU/Hour Output:	55,800
Other Important Information	
Vent Size:	6 Inch (152 mm)
Firebox Size:	3.1 cu. ft.
Max. Wood Length:	22" Maximum
Ideal Wood Length:	18"
Fuel	Seasoned Cordwood (20% moisture)

**An efficiency based on EPA historical data: 63% for non-catalytic stoves.*

***Maximum calculated efficiency using Douglas Fire dimensional lumber and data collected during EPA emissions test.*

****A range of BTU outputs based on EPA Default Efficiency and the burn rates from the low and high EPA tests, using Douglas Fir dimensional lumber.*

*****A peak BTU out of the unit calculated using the maximum first hour burn rate from the High EPA Test and BTU content of seasoned cordwood (8600) times the efficiency.*

This wood heater needs periodic inspection and repair for proper operation. It is against federal regulations to operate this wood heater in a manner inconsistent with operating instructions in this manual.

Dimensions

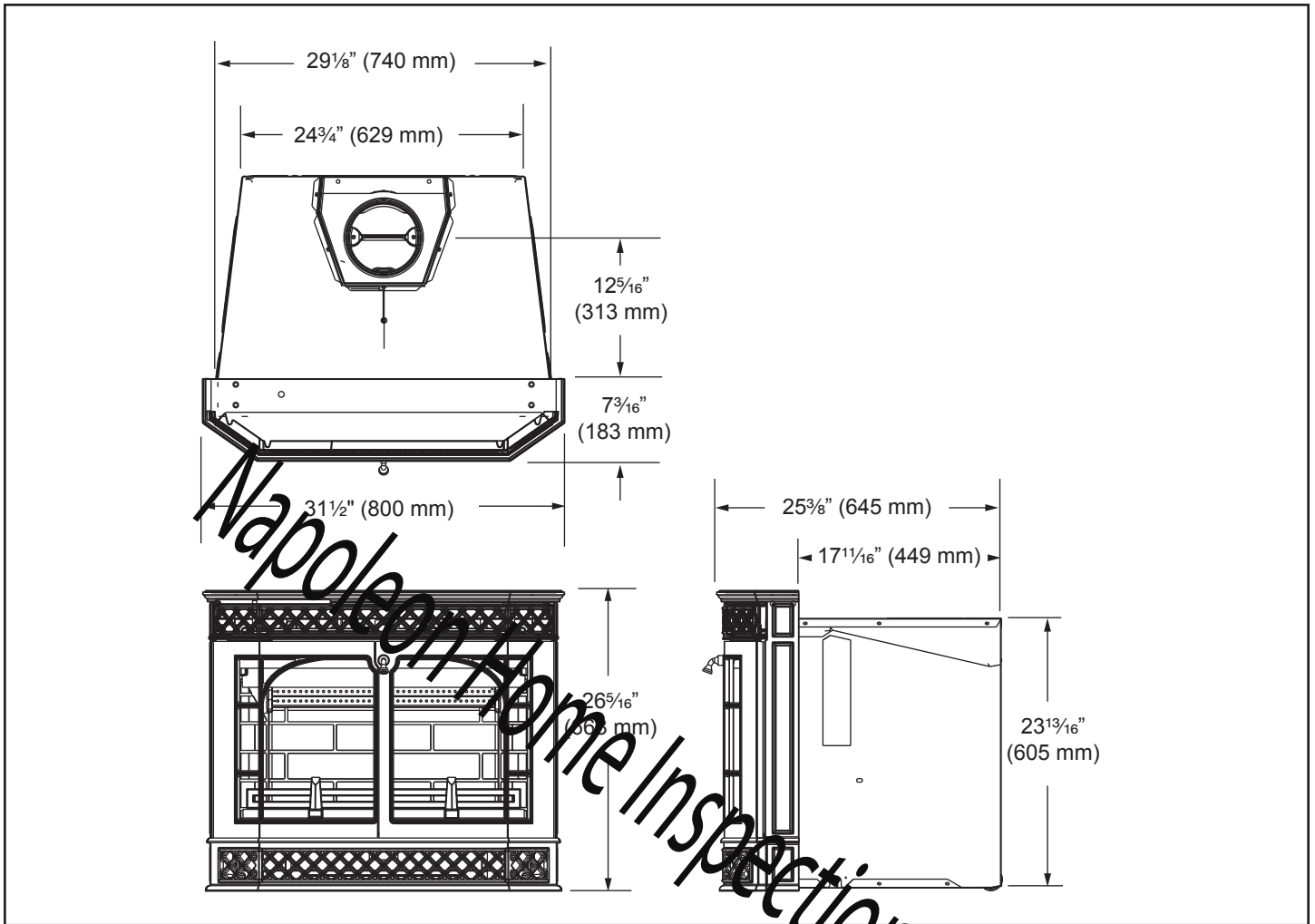


Figure 1 - Merrimack Large Insert dimensions.

Installation

SAFETY NOTICE: IF YOUR MERRIMACK IS NOT PROPERLY INSTALLED, A HOUSE FIRE MAY RESULT. TO REDUCE THE RISK OF FIRE, FOLLOW THE INSTALLATION INSTRUCTIONS. CONTACT LOCAL BUILDING OR FIRE OFFICIALS ABOUT RESTRICTIONS AND INSTALLATION INSPECTION REQUIREMENTS IN YOUR AREA.

Requirements for Existing Fireplaces

The Merrimack Large Insert is listed for installation within a properly built masonry or heat circulating, masonry-type fireplace that is constructed in accordance with the requirements of recognized building codes. A heat-circulating masonry-type fireplace must conform to building code standards for masonry fireplaces, and must consist of a factory-built metal firebox with air circulation pathways that are surrounded by masonry materials. Air circulation pathways must not be blocked by the insert or surround panels.

The fireplace and chimney must be clean and structurally sound. Have them inspected by a qualified professional chimney sweep, a mason, or your Vermont Castings' Authorized Dealer before the Merrimack Large Insert is installed. Any deterioration (cracks, loose mortar or loose bricks) must be repaired.

Codes may permit removal of the damper in order to make a positive vent connection between the firebox and the chimney. However, the fireplace should not be modified in any way without first checking with your local building inspector or fire marshal. Provision should be made to restore the fireplace to its original condition if the insert is removed. Do not remove bricks or mortar that may jeopardize the compliance of the fireplace with local building codes.

The Merrimack Large Insert is not approved for installation in factory-built fireplaces.

Requirements for Existing Chimneys

Chimney requirements differ for the U.S. and Canada. Specifications for each are listed below. Connect the insert to the chimney in accordance with local codes and the requirements of the listing agency as specified in this manual.

Chimney Height / U.S. and Canada

Chimney height should be no less than 15' (4.5 m) above the hearth and no more than 35' (10.5 m).

The chimney should extend at least 3' (914 mm) above the highest point where it passes through a roof, and at least 2' (610 mm) higher than any portion of a building within 10' (3 m). (Figure 2)

DO NOT CONNECT YOUR MERRIMACK LARGE INSERT TO A CHIMNEY FLUE SERVING ANOTHER APPLIANCE.

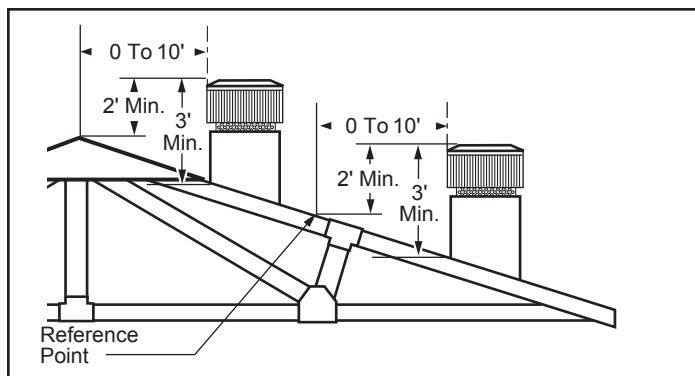


Figure 2 - The 2'-3'-10' rule for chimneys.

In the U.S. (ANSI/NFPA 211, 1988), when installed in a masonry fireplace:

- A connector must extend from the flue collar to the flue liner.
- The cross sectional area of the flue must be less than or equal to three times the area of the flue collar. If larger, the chimney must be re-lined.
- Means must be provided to prevent room air passing to the chimney cavity.
- Provision must be made for removal of the insert to clean the chimney flue.

General Considerations / U.S.

While not required in most jurisdictions in the U.S., Vermont Castings Group strongly recommends that a full stainless steel chimney liner be installed for the insert to the chimney top to increase overall performance and to ease and reduce yearly maintenance.

- A masonry chimney must be well-constructed and must meet minimum code requirements. The chimney flue should have a code-approved liner made of masonry or pre-cast refractory tiles, straight or flexible stainless steel pipe, or a poured-in-place liner. An unlined chimney must be relined professionally.
- The chimney must have a nominal flue size of 6" (152 mm) diameter or 28 square inches (181 cm²) but no greater than 3 times larger or 85 square inches (548 cm²). A chimney larger than this must be re-lined.

Be aware that a chimney originally designed for fireplace use may perform differently when used to vent an air-controlled appliance such as your Merrimack Large Insert - even if the flue is less than 3 times larger than the flue collar. For example, a chimney on an outside wall may not heat up enough to sustain an adequate draft. Such a flue can often be improved if it is relined to reduce its size and/or insulated to keep it warmer.

- A positive flue connection must be made between the Insert and the first masonry tile or prefabricated metal chimney section. A positive flue connection consists of a plate that seals or replaces the fireplace damper and a section of chimney connector that passes through the plate into the chimney.
- The chimney connector must be a minimum equivalent to a 6" (152 mm) diameter opening and must be 24 gauge or heavier stainless steel.

Chimney Connection systems are available from a variety of manufacturers. Your Vermont Castings dealer can recommend a system that will best meet the requirements of your particular installation.

Sealing Requirements / U.S.

- The chimney must be sealed off from room air, either by a plate at the damper level or by sealing the fireplace opening.
- Unused openings to the flue must be sealed with masonry to the thickness of the chimney wall. Openings sealed with pie plates or wallpaper are a hazard. In the event of a chimney fire, flames and smoke may be forced from the openings.

In Canada (CAN/CSA-B365-M91, Section 5):

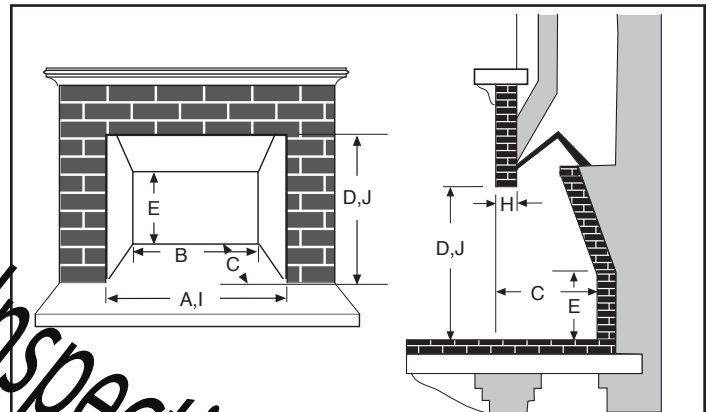
- This fireplace insert must be installed with a continuous chimney liner of 6" (152 mm) diameter extending from the fireplace insert to the top of the chimney. The chimney liner must conform to the Class 3 requirements of CAN/ULC-S635, *Standard for Lining Systems for Existing Masonry or Factory-Built Chimneys and Vents*, or CAN/ULC-S640, *Standard for Lining Systems for New Masonry Chimneys*.
- The opening of the fireplace around the insert must be sealed to prevent room air passing to the fireplace cavity.
- Existing air-circulation chambers in a fireplace with a steel liner may not be blocked.
- Provision must be made for removal of the insert to clean the chimney flue.
- The existing fireplace damper (if any) should be locked in the open position.
- A permanent metal warning label must be affixed to the back of the fireplace stating the fireplace may have been altered to accommodate the insert, and may be unsafe to use as a conventional fireplace. (A Fireplace Modification Tag is included in the hardware bag inside the Merrimack Large Insert.)

Minimum Fireplace Dimensions

The Merrimack Large Insert will fit many fireplaces. To confirm that it will fit yours, measure the lintel depth, plus the height, width, and depth of your fireplace and hearth. Compare them to the measurements in the accompanying chart. If you choose to install a new hearth over an existing fireplace hearth, be sure to take its thickness into consideration when measuring both front and back height of the fireplace and clearances to any existing trims and mantels.

NOTE: The clearance between the Merrimack Large Insert and the mantel, top trim and side trim cannot be reduced by installing shields.

Another requirement to consider is the clearance for movable items such as tables, bookcases, rugs, furnishings, and your woodbox. All combustible materials of this type should be a minimum of 48" (1220 mm) from the front surface of the Merrimack Large Insert. Be sure that family members are aware of this requirement as well, so they too will keep objects a safe distance from the stove.



Fireplace Minimums

A. Width at Face	29¾"	(756 mm)
B. Width at Dimension 'C'	25"	(635 mm)
C. Depth ¹	18½"	(470 mm)
D. Height at Face	23¾"	(603 mm)
E. Height at Dimension 'C'	23¾"	(603 mm)

Fireplace Maximums

H. Lintel depth	9"	(229 mm)
I. Width ²	45"	(1143 mm)
J. Height ²	32"	(813 mm)

1. The minimum depth must be maintained from the floor of the fireplace to a height of 21½" (540 mm)

2. Though the Merrimack Large Insert will fit into larger fireplaces, the decorative optional Vermont Castings Group Surround Panels will not completely cover the fireplace opening if these dimensions are exceeded. Custom made trim pieces may be used.

Figure 3 - Use these measurements to confirm that the Merrimack Large Insert will fit into your masonry fireplace.

Clearance Requirements

After confirming that your fireplace is the right size, check the clearance to combustibles. First mark with tape the exact center of your fireplace opening on the hearth. Measure the side clearance from this point. Measure the top trim and/or mantel clearances from the finished hearth surface. Measure the front clearance (to furnishings, etc.) from the fireplace face. (Figure 4)

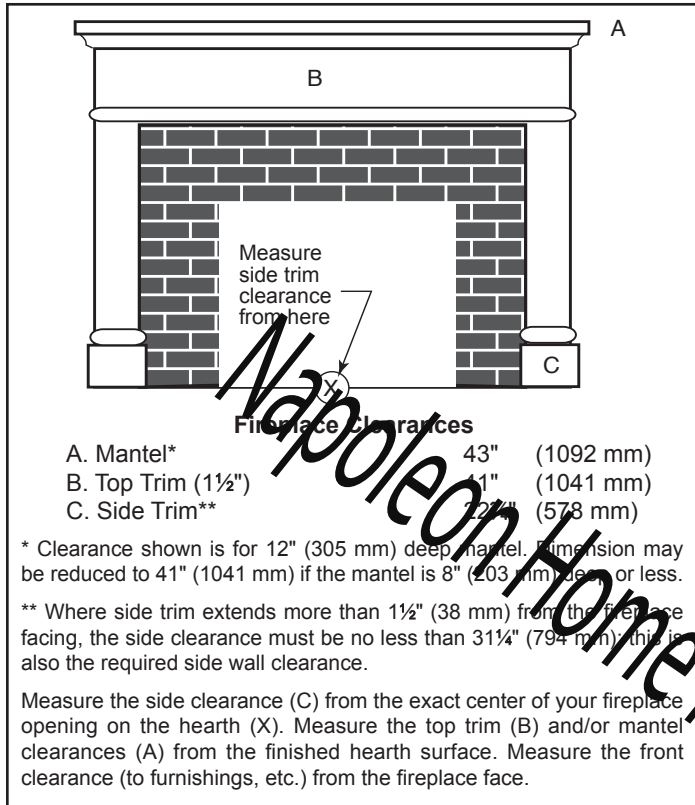


Figure 4 - Observe these clearances to combustible trim.

Hearth Requirements

In some fireplaces, the hearth in front of the fireplace opening is brick, stone, slate, or some other non-combustible material that is in direct contact with concrete poured over earth. These are the only hearths that are considered noncombustible. In other fireplaces, the brick or concrete hearth in front of the fireplace opening is supported by heavy wooden framing. Because neither brick nor concrete has good insulating properties, heat radiated by the fire will pass downward through the hearth to the wooden framing. Such hearths are considered combustible.

The hearth for the Merrimack insert must be constructed over a completely non-combustible surface (such as unpainted concrete over earth). This non-combustible hearth must extend at least 16" (406 mm) in front of the doors as protection from heat radiated from the insert. This means the non-combustible hearth must extend 23" in front of the fireplace face opening in a typical installation.

In addition, spark and ember protection is needed 8" (203 mm) to each side of the insert and in Canada, 18" in front of the insert. The approved construction of this protection is a minimum of 24 gauge galvanized sheet metal or equivalent. Figure 5 shows the details of hearth requirements.

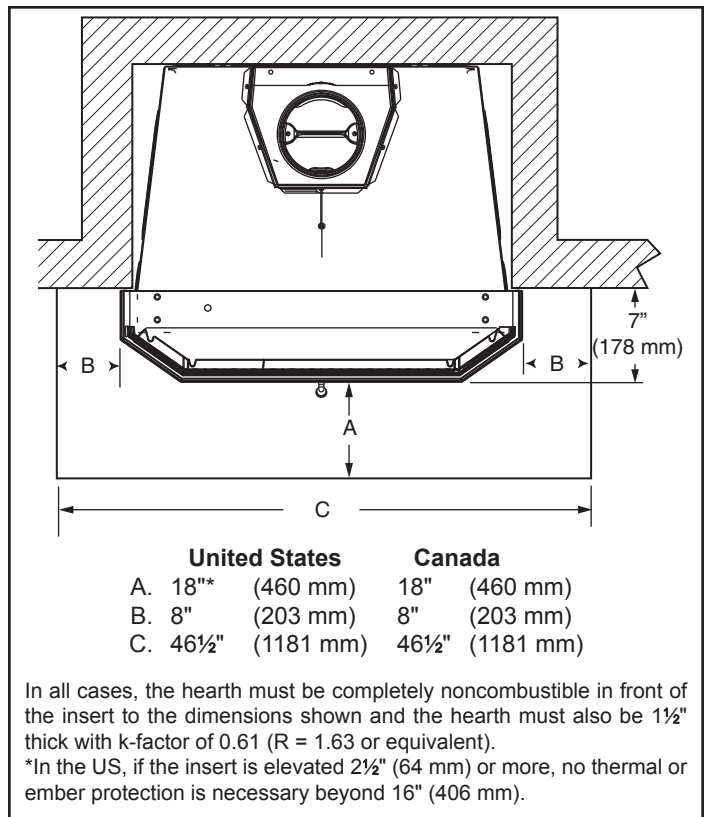


Figure 5 - Unless your fireplace and hearth are constructed over a dirt floor (or unpainted concrete over dirt), you must use a floor protector that satisfies the above requirements.

How to Determine if Alternate Floor Protection Materials are Acceptable

All floor protection must be noncombustible (i.e. metals, brick, stone, mineral fiber boards, etc.). Any organic materials (i.e. plastics, wood paper products, etc.) are combustible and must not be used. The floor protection specified includes some form of thermal designation such as R-value (thermal resistance) or k-factor (thermal conductivity).

Procedure:

- Convert specifications to R-value:
 - R-value given - no conversion needed.
 - k-factor is given with a required thickness (T) in inches: $R = \frac{1}{k} \times T$
 - K-factor is given with a required thickness (T) in inches: $R = \frac{1}{K} \times T$
 - r-factor is given with a required thickness (T) in inches: $R = r \times T$
- Determine the R-value of the proposed alternate floor protector: $R = \frac{1}{K \times 12} \times T$
 - Use the formula in Step 1 to convert values not expressed as R.

- ii. For multiple layers, add R-values of each layer to determine overall R-value.
- 3. If the overall R-value of the system is greater than the R-value of the specified floor protector, the alternate is acceptable.

EXAMPLE: The specified floor protector should be 1½-inch thick material with k-factor of 0.84. The proposed alternate is 4" brick with an r-factor of 0.2 over ¼" mineral board with a k-factor of 0.29

Step a: Use formula above to convert specification to

$$R\text{-value: } R = \frac{1}{k} \times T = \frac{1}{0.84} \times 1.5 = 1.79$$

Step b: Calculate R of proposed system.

4" brick of $r = 0.2$, therefore:

$$R_{\text{brick}} = 0.2 \times 4 = 0.8$$

Step c: ¼" mineral board of $k = 0.29$, therefore

$$R_{\text{mineralboard}} = \frac{1}{0.29} \times 0.25 = 0.86$$

Step d: $R_{\text{total}} = R_{\text{brick}} + R_{\text{mineralboard}} = 0.8 + 0.86 = 1.66$

Step e: Compare proposed system R_{total} of 1.66 to specified R of 1.79. Since proposed system R_{total} is less than required, the system is not acceptable.

Definitions

$$R = \frac{(\text{ft}^2)(\text{hr})(^\circ\text{F})}{\text{Btu}} \quad k = \frac{(\text{Btu})(\text{in})}{(\text{ft}^2)(\text{hr})(^\circ\text{F})} = K \times 12$$

$$K = \frac{(\text{Btu})(\text{ft})}{(\text{ft}^2)(\text{hr})(^\circ\text{F})} \quad r = \frac{(\text{ft}^2)(\text{hr})(^\circ\text{F})}{(\text{Btu})(\text{in})} = \frac{1}{k}$$

Optional Surround Packages

Custom-made surround panels may be made from any noncombustible material.

Vermont Castings Group offers a steel or cast iron surround panel kit.

Installing the Merrimack Large Insert

1. Remove or Disable the Fireplace Damper. If codes allow, remove the damper. Many dampers can be removed simply by removing a cotter pin and/or a set screw.

If it is not permissible or possible to remove the damper, secure the damper in the fully open position.

~ **NOTE: CANADIAN INSTALLATIONS ~**

In accordance with CAN/CSA B365-M91, you must permanently secure the Fireplace Modification Tag to the rear of the fireplace cavity if you have modified the fireplace in any way to accommodate installation of a fireplace insert. This tag is in the hardware bag included with your Insert.

2. Flue collar orientation: The flue collar may be oriented in the vertical position or rotated 180 degrees on the top of the stove resulting in a 26 degree backward angle. If possible, determine beforehand which orientation will work best for your application.

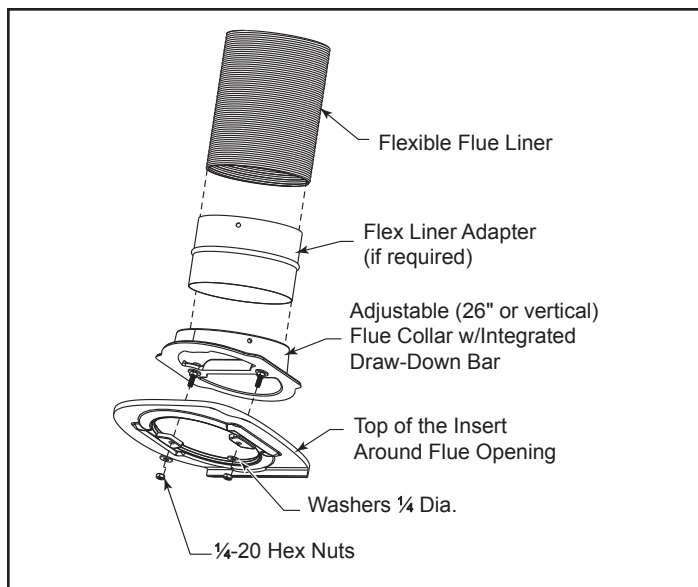


Figure 6 - Components of the venting system.

In most applications, cleaning of the chimney system will be easiest from the top (chimney cap) down. If this is the planned method for your application, the center iron pull down handle on the flue collar serves as protection to prevent a chimney brush from damaging the baffle inside the stove. If cleaning can only take place from inside the home, the center bar may be cut out of the flue collar using a hack saw or reciprocating metal cutting saw.

3. Install the venting system: Again, depending on your application it may be easiest to install the connector or stainless steel flue liner in the chimney first. Refer to Figure 6 for the components of the venting system.

- Carefully remove the fiber baffle by first removing the front air wash manifold. If necessary, remove the air tubes to allow easier access.
 - Remove the iron flue collar from the stove and fasten either the adapter pipe or flue liner to it by drilling three holes using the holes in the iron collar as a guide.
 - Secure the flexible pipe to the pipe adaptor using the same method.
 - Install the connector pipe or liner so that the height measured from the finished hearth surface to the center bar of the flue collar is 20½" (521 mm). (Figure 7) This will allow an easy connection once the stove is rolled into place.
- 4. Route the blower power cord.** Run the power cord out the left or right side of the insert. Remove the two (2) louvre doors (Figure 9) or access doors. Remove the screw and washer from each side holding the ashlip to the front. If you run the power cord out the left side, remove the two (2) screws holding the rheostat bracket to the fan housing. Insert grommet nearest fan in the slot on the fan housing, left or right side. Reattach rheostat bracket with the two (2) screws removed earlier. Remove the cover plate and insert the provided grommet into the slot. Reattach the cover plate.

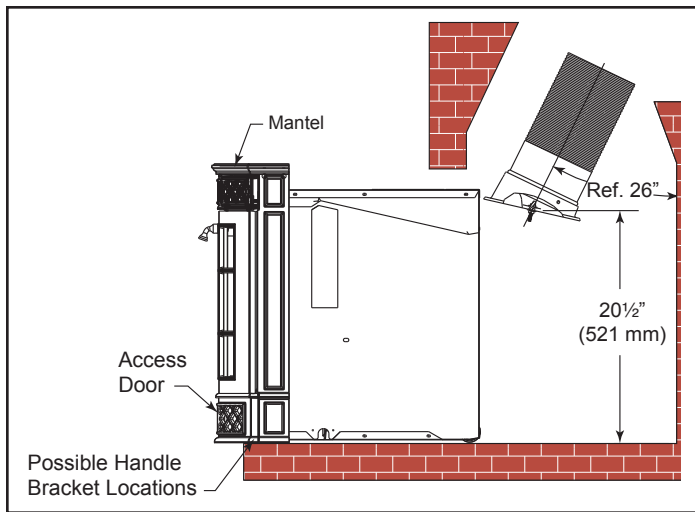


Figure 7 - Measured height from the finished hearth surface to the center bar of the flue collar.

5. Install Mantel and Access Door. For enamel units: Remove the prepackaged mantel and install the two (2) brackets to the upper side of the mantel using four (4) 1/4-20 x 3/8" Phillips head black screws already installed in the mantel. (Figure 8) The brackets can be found in the stove. Remove the screws and use to attach the brackets. For classic black units: Remove the tie strap holding the mantel in place. The brackets are already attached to the mantel. Unwrap the two (2) pre-assembled access doors and snap into place. If the spacing between the doors and upper lattice is not even, you can pull the doors inward off and adjust the upper lattice. Screw the two (2) jacking screws that contact the front up or down as needed. (Figure 9)

6. Install the Optional Surround Kit. Follow the instructions provided with the kit.

7. Roll the Firebox into Position. At least two people will be needed to move the firebox. To ease installation, lift the front of the stove slightly to put weight on the rear wheels. Position the firebox so the flue collar aligns with the connector. Use the leveling screws at the front of the Insert to adjust the level. Route the power cord to the side nearest the power supply.

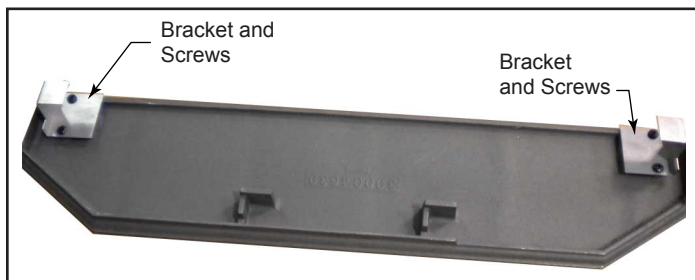


Figure 8 - Secure bracket to mantel with two (2) Philips screws.

8. Connect the Flue Collar. : From inside the stove, reach up and pull the flue collar into place by lining up the two 1/4" studs in the stove top. Care should be taken to not disturb the gasket which seals the collar to the top. Tighten the two 1/4" nuts.

- Replace the stainless steel air tubes, if removed, by sliding them first to the right and then into the mating holes on the left. Secure these in place with the stainless steel cotter pins.

- Before installing the airwash manifold, replace the fiber baffle board and ensure it slides all the way to the back. There should be a tight fit between the board and the iron sides of the stove.

- Replace the front air tube and secure it in place with the cotter pin.

9. Connect the Blower power cord to the power supply. DO NOT ROUTE THE POWER CORD UNDER OR IN FRONT OF THE UNIT.

10. Install the supplied handle storage bracket by simply sliding the flat end under the right or left side of the stove. (Figure 7)

This completes installation of your Merrimack Large Insert.

Smoke and CO Detectors

The use of smoke and carbon monoxide (CO) detectors throughout the home is strongly advised, even if not required by building codes or insurance regulations. It is a good idea to install a smoke detector in the living areas and each bedroom. Follow the smoke/CO detector manufacturer's placement and installation instructions and maintain regularly.

You may not, however, wish to install a detector in the immediate vicinity of the Montpelier insert. Depending on the sensitivity of the unit, the alarm can be set off while you are tending the fire or emptying the ashes. If you install a detector in the same room, locate it as far away from the insert as possible.

Safety Tips

Conveniently locate a "Class A" fire extinguisher to contend with small fires. Be sure the fire extinguisher works and is clearly visible. All occupants of the house should know where it is, and how it operates. Have heavy stove gloves available near the insert. Have special safety accessories (e.g., Child Guard Screen) available for use if small children will be in the home.

In the event of a stove pipe or chimney fire....

- Evacuate the house immediately
- Notify the fire department
- If the fire isn't too threatening, closing down the insert tight, (damper, primary air, all doors) will help to smother the fire.
- Inspect your insert, stove pipe and chimney for any damage caused by the fire and correct any damage before using your insert again.

Operation

Your Insert's Controls and What They Do

All Merrimack Large Insert controls are conveniently located on the front. (Figure 9)

Three controls regulate the performance of your Merrimack Large Insert:

The **primary air control** supplies oxygen for the fire.

The variable-speed **fan control**, or rheostat, regulates the warm air flow into the room.

An automatic setback control provides a high air setting of restarting or reviving a fire after reloading and closes automatically once the stove reaches operating temperatures.

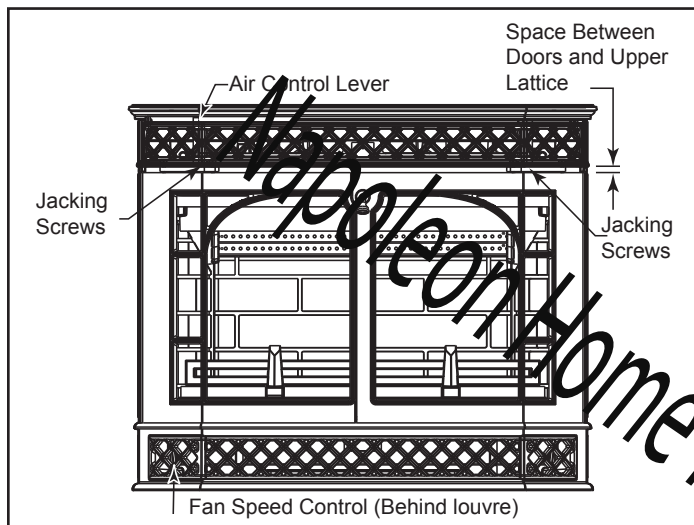


Figure 9 - Merrimack Large Insert controls.

Primary Air Control

A single air control regulates the amount of heat the fire will produce and how long it will burn.

The **primary air control lever** is located on the upper left side on the front of the insert. The lever regulates air for starting, maintaining, and reviving the fire.

Generally, more air entering the stove makes the fire burn hotter and faster, while less air prolongs the burn.

The Merrimack Large Insert's air supply is increased when the control lever is moved to the left, and decreased when moved to the right. It may be set anywhere between the two extremes, depending on the amount of heat desired. (Figure 10)

To complement the manual setting of the air control, the Merrimack Large Insert has an integral convection air blower that ensures an even delivery of heat at the manual setting you select.

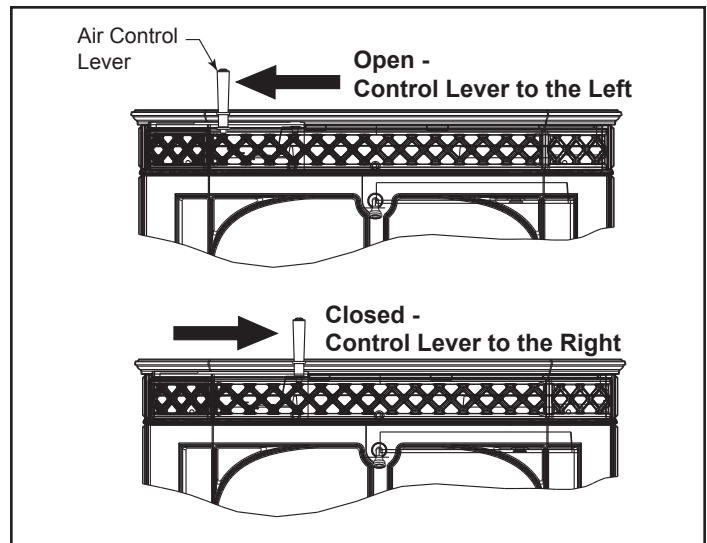


Figure 10 - The air control lever controls the amount of air entering the firebox.

The Fans

The convection fan delivers a steady stream of warm air into the room. Use the fan speed control to regulate the flow of air into the room. A thermal switch will automatically de-activate the fan when the stove cools down. When starting a fire in a cold stove, this switch will typically energize the fan within about 20 minutes, after the stove heats up.

The fan speed should be set at "low" (fully closed) when operating at low to medium burn rates and may be set anywhere between "low" and "high" when operating at high burn rates. (Refer to Figure 11 for fan access).

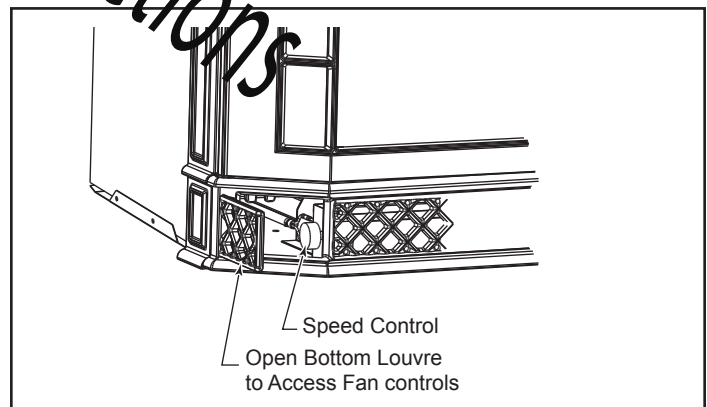


Figure 11 - Fan control access.

WARNING

This wood heater has a manufactured-set minimum low burn rate that must not be altered. It is against federal regulations to alter this setting or otherwise operate this wood heater in a manner inconsistent with operating instructions in this manual.

Automatic Setback Control

The automatic setback air control is used when starting or reviving a fire and provides an increased flow of combustion air to the fire until the firebox is sufficiently heated. This air supply automatically resets to the desired air setting, taking the guesswork out of operating the stove.

Figure 9 shows the automatic setback control. Move the primary air control lever all the way to the left. Push the primary control about one more inch to the left to open the air shutter (the lever will spring back automatically when released). The shutter will remain open only if the stove is below its proper operating temperature. Once open, the primary air control lever may be adjusted to any desired position. Once the stove heats up to its proper operating temperature, you will here a clicking sound confirming the shutter has closed. This returns the stove to the output setting of the primary air control.

This feature is primarily intended for reloading the stove when lower air settings (low heat output) are desired, but it is also useful any time the firebox is too cool for proper combustion or when freshly added wood does not ignite readily.

For maximum efficiency and performance, the Merrimack insert should always have visible flames in newly added wood, either within the fuel pile or near the top of the firebox. Wood moisture, piece size, draft, weather and firebox temperature will all have an effect on how quickly flaming occurs. The automatic setback air control is a convenient feature allowing more user flexibility and ease of operation.

Burn Only High-Quality Wood

The Merrimack Large Insert is designed to burn natural wood only; do not burn fuels other than that for which it was designed.

You'll enjoy the best results when burning wood that has been adequately air-dried. Avoid burning "green" wood that has not been properly seasoned or cordwood that is more than two years old.

The best hardwood fuels include oak, maple, beech, ash, and hickory that has been split, stacked, and air-dried outside under cover for at least one to two years.

For areas that do not have a supply of hardwood, commonly burned softwoods include tamarack, yellow pine, white pine, Eastern red cedar, fir, and redwood. These too should be properly dried.

Your Merrimack Large Insert will accept wood up to 22" (559 mm). Longer wood pieces work better than short ones.

Wood should be stored under cover to maintain dryness. Even for short-term storage, however, keep wood a safe distance from the heater and keep it out of the areas around the heater used for re-fueling and ash removal.

Use the Air Control Settings that Work Best for You

No single air control setting will fit every situation. Settings for each installation will differ depending on the quality of the fuel, the amount of heat desired, and how long you wish the fire to burn.

The control setting also depends on your particular "draft," or the force that moves air from the stove up through the chimney. Draft is affected by such things as the length, type, and location of the chimney, weather, local geography, nearby obstructions, and other factors.

Too much draft may cause excessive temperatures in the Merrimack Large Insert, and could even damage internal components. On the other hand, too little draft can cause backpuffing into the room or a very sluggish fire.

How do you know if your draft is excessively high or low? Symptoms of too much draft include an uncontrollable burn or glowing-red cast iron. A sign of inadequate draft is smoke leaking into the room through the stove or chimney connector joints, low heat, and dirty glass.

In some newer homes that are well-insulated and weather-tight, poor draft may result from insufficient air in the house. In such instances, an open window near the stove on the windward side of the house will provide the fresh air needed.

When first using the stove, keep track of the settings of the air controls. You will quickly find that a specific setting will give you a fixed amount of heat. It may take a week or two to determine the amount of heat and the length of burn you should expect from various settings.

Most installations do not require a large amount of combustion air, especially if adequate draft is available. **Do not for any reason attempt to increase the firing of your heater by altering the air control adjustment range outlined in these directions.**

Use the following primary air control lever and fan speed control lever settings as a starting point to help determine the best settings for your installation.

Merrimack Large Insert Control Settings			
Primary Air		Air Circulation	
Burn Rate	Control Setting	Fan Speed	Control Position
High	Fully Left	High	Horizontal
Medium	1" From Full Right	Low	Turn Clockwise
Low	Fully Right	Off	Trun Counterclockwise

Starting and Maintaining a Wood Fire

Burn solid wood fuel only in the Merrimack Large Insert, and burn it directly on the grate. Do not elevate the fuel. Do not burn coal or other fuels.

Cast iron is a superior material for solid fuel stoves but it must be treated with respect. It is extremely strong, but can be broken with a sharp blow from a hammer or from the thermal shock of rapid and extreme temperature changes. It is important to temper the cast iron plates with an initial series of 3-4 break-in fires. The plates expand and contract with changes in temperature. Minimize thermal stress by allowing the plates to adjust gradually during the break-in fires by following Steps 1-3 on the following page.

WARNING

Operate your Merrimack Large Insert only with the door fully closed. If the door is left partially open, gas and flame may be drawn out of the fireplace opening, creating risks of both fire and smoke.

Follow these guidelines as you start and maintain the fire, and remove the ashes. Prior to starting a fire with a cold stove, it is recommended to clear the lower primary air hole located at the nose of the front brick. To do this, remove the andiron and lift out the front refractory brick. Sweep any ash accumulation out of the air slot. Keeping this slot clear of ash will ensure better performance.

1. Open the primary air control fully.
2. Lay several sheets of crumpled newspaper in the bottom. Place on the paper six or eight pieces of dry, finely-split kindling. On the kindling lay two or three larger sticks of split dry wood approximately 1-2" (25-50 mm).

Do not use chemicals or fluids to start the fire. Do not burn garbage or flammable fluids such as gasoline, naptha, or engine oil. Also, never use gasoline-type lantern fuel, kerosene, charcoal lighter fluid, or similar liquids to start or "freshen up" a fire in this heater. Keep all such liquids well away from the heater while it is in use.

3. Light the newspaper and close the door. Gradually build up the fire by adding a few 3-5" (76 -127 mm) diameter splits.

If this is your initial break-in fire, let the fire burn brightly, but not to excess. Control the fire's intensity by adjusting the air control lever. After an hour or so stop adding wood so that the fire dies out gradually.

For ongoing operation after the initial break-in, continue to add a few sticks at a time of a progressively larger size. Be sure to keep the fuel load behind the front grate bar at all times. Continue until you have a live ember bed at least 3-4" (76 - 102 mm) deep. This may take an hour or longer, particularly when the Merrimack Large Insert is vented to an exterior masonry chimney or when you are just starting a fire.

NOTE: Effectiveness of a "top-down" method to start a fire. Smoke emissions when starting a fire can be difficult to control because the insert is not yet heated to its optimum temperature. One method of reducing emissions during a cold start-up is the use of a "top-down" kindling procedure. In this, place larger pieces of kindling on the bottom of the kindling pile followed by smaller and smaller pieces as the pile is added to. Very finely split pieces should be on the top. Light the kindling pile with a match at the top and allow the kindling to burn downward into the larger pieces. This reduces smoke by slowly increasing the fire size without creating an air-starved condition.

You'll soon find that the insert is **HOT WHILE IN OPERATION! KEEP CHILDREN, CLOTHING, AND FURNITURE AWAY. CONTACT MAY CAUSE SKIN BURNS.**

NOTE: Some chimneys need to be "primed," or warmed up, before they will draw sufficiently to start a fire. To correct this situation, roll up a couple pieces of newspaper, place them on top of the kindling and toward the back of the stove, light them, and close the doors. This should heat the chimney enough to initiate a draft.

Once the draft is established, open the front door and light the rest of the fuel from the bottom. Do not light the main bed of fuel until the chimney begins drawing, and repeat the procedure as often as necessary if the initial attempt is unsuccessful.

4. Once a good ember bed of at least 3-4" (76 - 102 mm) has formed, add the desired amount of wood and close the primary air control to a medium-low setting. The fire volume will diminish immediately, but the Merrimack Large Insert will continue to heat up. Maintain control of the fire using the primary air control, and remember: reduce the setting for less heat, increase the setting for more heat. Refer to the air control settings chart on Page 10 for recommended settings at different burn rates.

Do not over-fire the heater.

Overfiring may cause a house fire, or can result in permanent damage to the stove. If an exterior part of the Merrimack Large Insert glows, you are overfiring.

Reloading and Reviving a Wood Fire

Set the air control on "High," and wait at least fifteen seconds for the draft to increase. Turn the convection blower off. Open the doors slowly.

IMPORTANT: While the stove is hot, toss and sift the coals with each stove loading. This loosens and helps burn coals that become buried in the ash. Push coals away from the bottom air jet. Creating this "void" helps maintain a reliable fire.

Check the ash level, and remove excess ash. A primary air hole located under the front brick provides air to the coal bed. (Figure 12) This hole should be cleared of ash for proper performance.

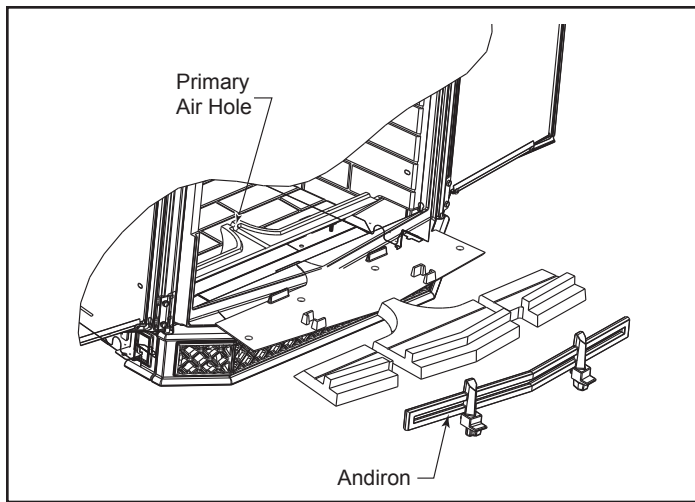


Figure 12 - Keep primary air holes free of ash for proper performance.

Add the fuel, smaller pieces first. If it is necessary to use wood smaller than the 18" (460 mm) optimum size, be sure to fill the firebox as completely as possible by loading the wood pieces alternately on the left and right. Split wood will fill the firebox more completely and reduce the frequency of reloading. If possible, stack wood diagonally to maximize air spaces between fired pieces.

If you have an ember bed of at least 2-3" (51 - 76 mm), the air setting may not need to be adjusted. If the ember bed is less than 2-3" (51 - 76 mm), activate the automatic setback feature. This will provide extra air to start the fire flaming and 'setback' to the desired air setting once the stove is heated.

Finally, adjust the air control and fan speed for your desired heat level.

NOTE: If the charcoal bed is relatively thick and your fuel is well-seasoned, it is possible to add fresh fuel (smaller pieces first), close the door, and reset the air control immediately.

Special Tactics for Cold-Climate Heating

The Merrimack Large Insert is capable of producing up to 55,000 Btu/hour and heating an area of up to 2,000 sq. ft. However, many factors affect heating performance and can influence the extent to which the Merrimack Large Insert can heat a given area.

A well-insulated home, located in a moderate climate and with the Merrimack Large Insert located centrally in an open floor plan, will be easier to heat than a drafty home in the far north in which a Merrimack Large Insert is installed on an exterior wall at the end of a long house.

In Fireplace Insert installations, over-sized chimneys can produce less effective results than those that are properly sized, and interior chimneys usually perform better than those located outside the house.

Different results may be experienced even in the same installation if you switch from burning good, dry wood to wood that is partially rotted or inadequately seasoned.

To compensate for these factors in cold climates, it may be necessary to operate the Merrimack Large Insert for longer periods of time with the air control set to a higher level more of the time.

Remove and Store Ash Safely

Check the ash level before reloading the stove, remove ashes if necessary. Turn off the fan before shoveling the ash into your ash container.

Remove ash regularly, typically every one to three days. The frequency will vary depending on how you operate your Merrimack Large Insert; more wood is consumed at higher heat output settings, and ash will accumulate faster.

Disposal of Ashes - Ash should be removed frequently and placed outdoors in a metal container with a tight-fitting lid. The closed container of ash should be placed on a non-combustible floor or on the ground, well away from all combustible materials, pending final disposal. If the ash is disposed of by burial in soil or otherwise locally dispersed, it should be retained in the closed container until all cinders have thoroughly cooled. Wood ash may be used as a garden fertilizer.

 CAUTION
<p>Never use your household or shop vacuum cleaner to remove ash from the fireplace; always remove and dispose of the ash properly.</p>

Appliance Home Inspections

Maintenance

Keep Your Merrimack Large Insert Looking New and Working Its Best

Care of the Cast Iron Surface

An occasional dusting with a dry rag will keep the painted cast iron of your Merrimack Large Insert looking new.

If the paint needs retouching, first allow the surface to cool completely. Mask glass, trim parts and enamelled areas. Wire-brush those areas to be painted. Touch-up with high temperature stove paint available from your local dealer. Apply the paint sparingly. Two light coats are better than one heavy one.

Care of the Porcelain Enamel Surface

Use a soft brush as necessary. Do not use water or other liquids on your Merrimack Large Insert. Fingerprints usually can be buffed off porcelain enamel with a dry, soft cloth. If marks remain, allow the Merrimack Large Insert to cool completely, then buff with a slightly damp, soft cloth. Dry completely before starting a fire to avoid streaking.

Never use abrasives or harsh chemical cleaners on the porcelain enamel finish; the enamel may scratch and expose the cast iron, which can then stain or rust. If you must remove spills or stains from porcelain surfaces, make sure the fire is out and the Merrimack Large Insert has cooled completely before cleaning. Use a kitchen appliance cleaner and/or polish specifically formulated for enamel surfaces. Apply the cleaner sparingly with a soft cloth, and buff away all traces.

Cleaning the Glass

The Merrimack Large Insert glass system requires a minimum amount of cleaning. Most carbon deposits that accumulate will burn off during hot fires.

Ash residue that accumulates on the glass should be removed periodically to prevent etching. To clean the glass, use the following procedure.

- Be sure the glass is completely cool.
- Cleaning with water will work in most cases. Use a glass cleaner especially made for this purpose only if deposits are specially heavy. (If heavy deposits are a frequent occurrence, however, evaluate your operating techniques.) Do not use abrasive cleaners.
- Rinse the glass thoroughly.
- Dry the glass completely.

Adjust the Door Latch Periodically

The front door of the Merrimack Large Insert should close securely to prevent accidental opening and should close tightly to prevent air from leaking into the fire chamber. The door handle will be positioned vertically when the door is closed.

Over a period of time, the gasket around the door will compress and the latch may need adjustment. To adjust the handle, follow this procedure:

1. Remove and retain the lock nut with a $\frac{9}{16}$ " wrench. (Figure 13)
2. Loosen the set screw with a $\frac{1}{8}$ " Allen wrench.
3. Rotate the pawl 180°. Replace the lock nut. Tighten the set screw.
4. Additional adjustment can be made by removing the flat washer. Or any combination of washer removal and/or pawl rotation.

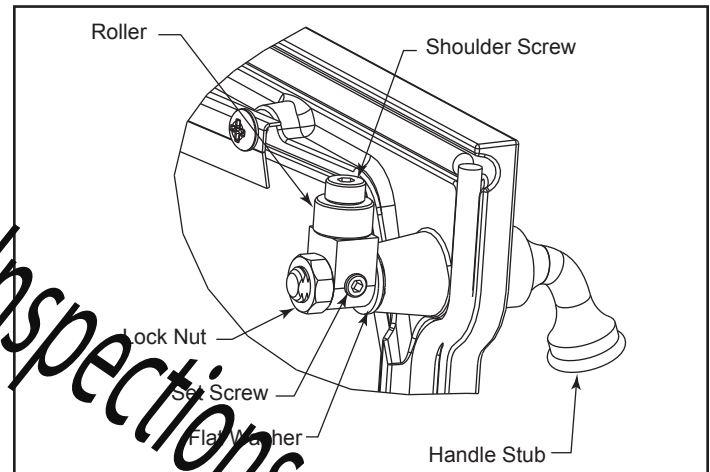


Figure 13 - Rotate pawl and/or remove flat washer to adjust latch.

Test the door seal. Close the door on a dollar bill and attempt to pull it free. If the bill is freed with little resistance, the gasket isn't snug enough at that spot. Continue to make small adjustments until the setting is right.

If additional adjusting of the latch does not enable the door to seal sufficiently in one area, try "adjusting" the gasket in that area. Pack more cement or a smaller diameter gasket into the channel beneath the gasket so the main gasket is raised and makes contact with the door frame. If this procedure doesn't solve the problem, replace the gasket. Instructions for gasket replacement are given later in this section.

IMPORTANT NOTES

- Do not operate the Merrimack Large Insert if the glass is damaged or broken.
- Do not abuse glass by striking with any object or by slamming the door.
- Replace glass only with Vermont Castings Group high temperature ceramic glass, available from your Vermont Castings' authorized dealer.

! WARNING



HOT GLASS WILL CAUSE BURNS.

DO NOT TOUCH GLASS UNTIL COOLED.

NEVER ALLOW CHILDREN TO TOUCH GLASS.

Removing and Replacing Door Glass

Follow this procedure to replace glass.

- Open the door and loosen the four retaining clip screws that hold the glass to the door. Swing the clips out of the way. Tilt the glass away from the door frame and lift up. (Figure 14) Wear gloves and use caution when handling broken glass.

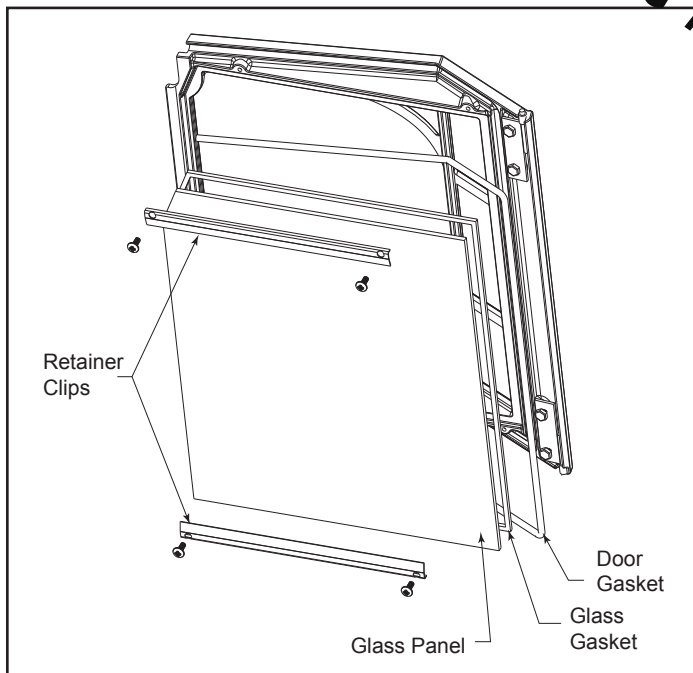


Figure 14 - Replace glass.

- Examine the gasket that seals the glass to the door frame. If necessary, replace this with gasket obtained from your local Vermont Castings' authorized dealer. Directions for replacing gaskets are given below.
- Check the channel at the bottom of the door frame, and clear away debris if necessary.
- Carefully place the new glass in the door frame.
- Secure the clips, being careful not to over-tighten. Be sure the glass is firmly seated against the gasket. Close the door gently to confirm the clips have been properly positioned. It is possible for the glass to be damaged if the clips have been installed incorrectly and the door is closed with force.

How to Replace Gaskets

Your Merrimack Large Insert uses rope-type fiberglass gaskets to make a tight seal between some parts. With use, particularly on those parts that move, gaskets can become brittle and compressed and can begin to lose their effectiveness. These will need periodic replacement.

All of the gaskets used are made of fiberglass. The three sizes of replaceable gasket are listed below, along with their application.

Replaceable Merrimack Large Insert

Fiberglass Gaskets

Gasket Size	And The Parts It Seals
3/8" (1203589)	Door to the front - 4.5'
3/8" (30002422)	Firebox parts
1/2" (1203556)	Glass to the door - 4.6'

To change a gasket, wait until the fire is out and the stove has cooled. Wear protective eyewear and a dust mask. The procedure is the same for all gaskets.

1. Remove the existing fiberglass gasket by grasping an end and pulling firmly.
2. Use a wire brush or the tip of a screwdriver to clean the channel of any remaining wood glue, silicone or bits of gasket.
3. Apply a thin bead of high temperature silicone to the newly-cleaned door gasket groove. A 1/8" - 3/16" bead is sufficient.
4. Apply a thin bead of wood glue to the newly cleaned glass gasket area. A 1/8" - 3/16" bead is sufficient.
5. Place a new gasket into the groove. Wait until you have placed all but a couple inches from the end before you trim the end to an exact fit.

Replacing the Door Gaskets

- Remove the door by lifting it straight up from its hinge pins.
- Lay it face down on a padded surface.
- Remove the glass. Follow the instructions for removing and replacing glass which start on Page 14.
- Replace gaskets. Follow steps 1-4, above.
- Replace the glass.
- Replace the door.

The Chimney System

A Clean Chimney System is Safer and Works Better

Although the non-catalytic combustion system in your Merrimack Large Insert can reduce creosote formation dramatically, it is not a substitute for regular inspection and cleaning of the chimney and chimney connector.

Learn to Recognize and Avoid Creosote

Your Merrimack Large Insert has been designed to minimize creosote build-up. Regular chimney inspection and maintenance, however, must still be performed. For safety, good stove performance, and to protect your chimney and chimney connector, inspect your chimney and chimney connector on a regular schedule. Clean the system if necessary. Failure to keep the chimney and connector system clean can result in a serious chimney fire.

Creosote - Formation and Need for Removal. When wood is burned slowly, it produces tar and other organic vapors which combine with expelled moisture to form creosote. The creosote vapors condense in the relatively cool chimney flue of a slow-burning fire. As a result, creosote residue accumulates on the flue lining. When ignited, this creosote makes an extremely hot fire. The chimney and chimney connector should be inspected at least once every two months during the heating season to determine if a creosote buildup has occurred. If creosote has accumulated, it should be removed to reduce the risk of a chimney fire.

If you do experience a chimney fire, act promptly to:

- Close the primary air control lever (fully to the right).
- Get everyone out of the house.
- Call the Fire Department from a nearby house.

You should inspect the system every two months during the heating season as part of a regular maintenance schedule. To inspect the chimney, let the Merrimack Large Insert cool completely. Then, using a strong light, sight up through the flue collar into the chimney flue. The fiber baffle will need to be removed gently to view inside the connector pipe.

If it is necessary to remove the firechamber to inspect or clean the chimney, this is how to do it:

- Let the Merrimack Large Insert cool.
- Disconnect the fan power cord.
- You may wish to lighten the firebox by removing the load door and andiron.
- Retract the two levelling screws until they bear no weight.
- Remove the front air tube and fiber baffle.
- Disconnect the flue collar or vent connector from the top of the stove.
- Slide the firechamber forward until you have access to the fireplace opening.
- Inspect the flue.

You can now inspect the smoke shelf area of the fireplace and the chimney. Before replacing the Merrimack Large Insert, this area should be inspected for signs of deterioration and cleaned thoroughly with a chimney brush.

Clean the chimney using a specially designed brush the same size and shape as the flue liner. Flexible fiberglass rods are used to run the brush up and down the liner, causing any deposits to fall to the bottom of the chimney where they can be removed through the clean-out door.

The chimney connector should be cleaned by disconnecting the sections, taking them outside, and removing any deposits with a stiff wire brush.

Reinstall the connector sections after cleaning, being sure to secure the individual sections with sheet metal screws.

If you can't do the chimney inspection yourself, contact your local Vermont Castings' Authorized Dealer, or engage a professional chimney sweep to perform the inspection and cleaning of the chimney.

Reverse the procedure to re-install the firechamber.

Fireplace System Maintenance Schedule

Fireplace:

Daily:

- Ash should be removed before the level reaches the top edge of the front brick. Check each time you reload, or at least once a day.
- Keep the area around the fireplace clear of any combustible material.

Yearly Spring Cleaning:

- Remove ash from the firebox and replace with a moisture-absorbing material (such as kitty litter) to keep the interior of the stove dry.
- Touch up painted surfaces with black paint.

Flex Connection:

Two Months:

- Inspect the chimney and flue connection. Clean the system if necessary.

Yearly Spring Cleaning:

- Disassemble the flue connection and take it outdoors for inspection and cleaning. Replace weak sections of connector.
- Inspect the chimney for signs of deterioration. Repairs to a masonry chimney should be made by a professional mason. Replace damaged sections of prefabricated chimney. Your local Vermont Castings' dealer or a chimney sweep can help determine when replacement is necessary.
- Thoroughly clean the chimney.

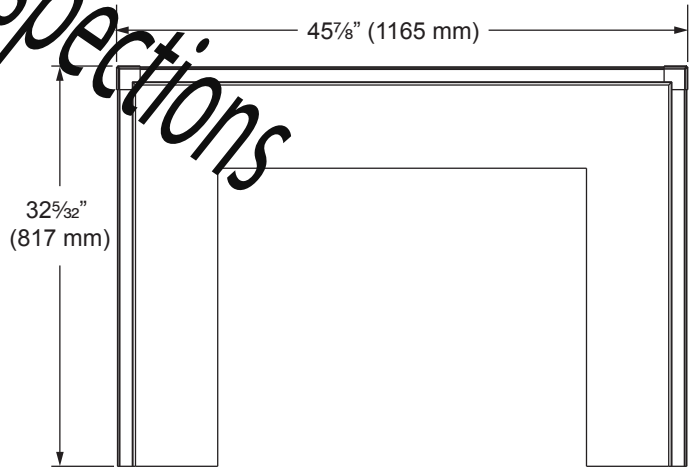
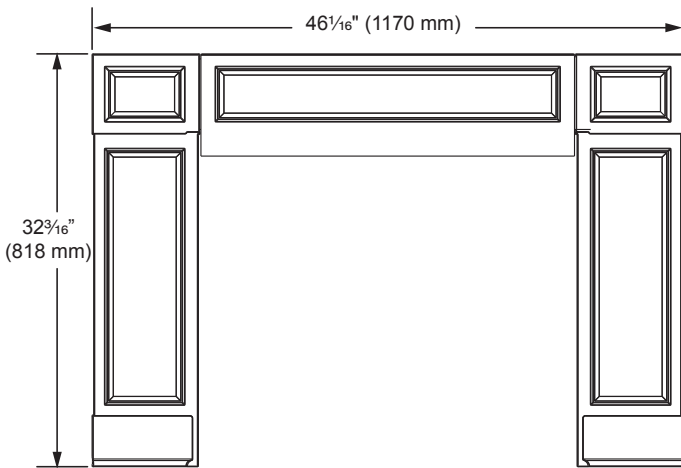
For parts and information about your insert, contact your Vermont Castings authorized dealer. For the name of the dealer nearest you, visit: www.vermontcastings.com

Optional Accessories

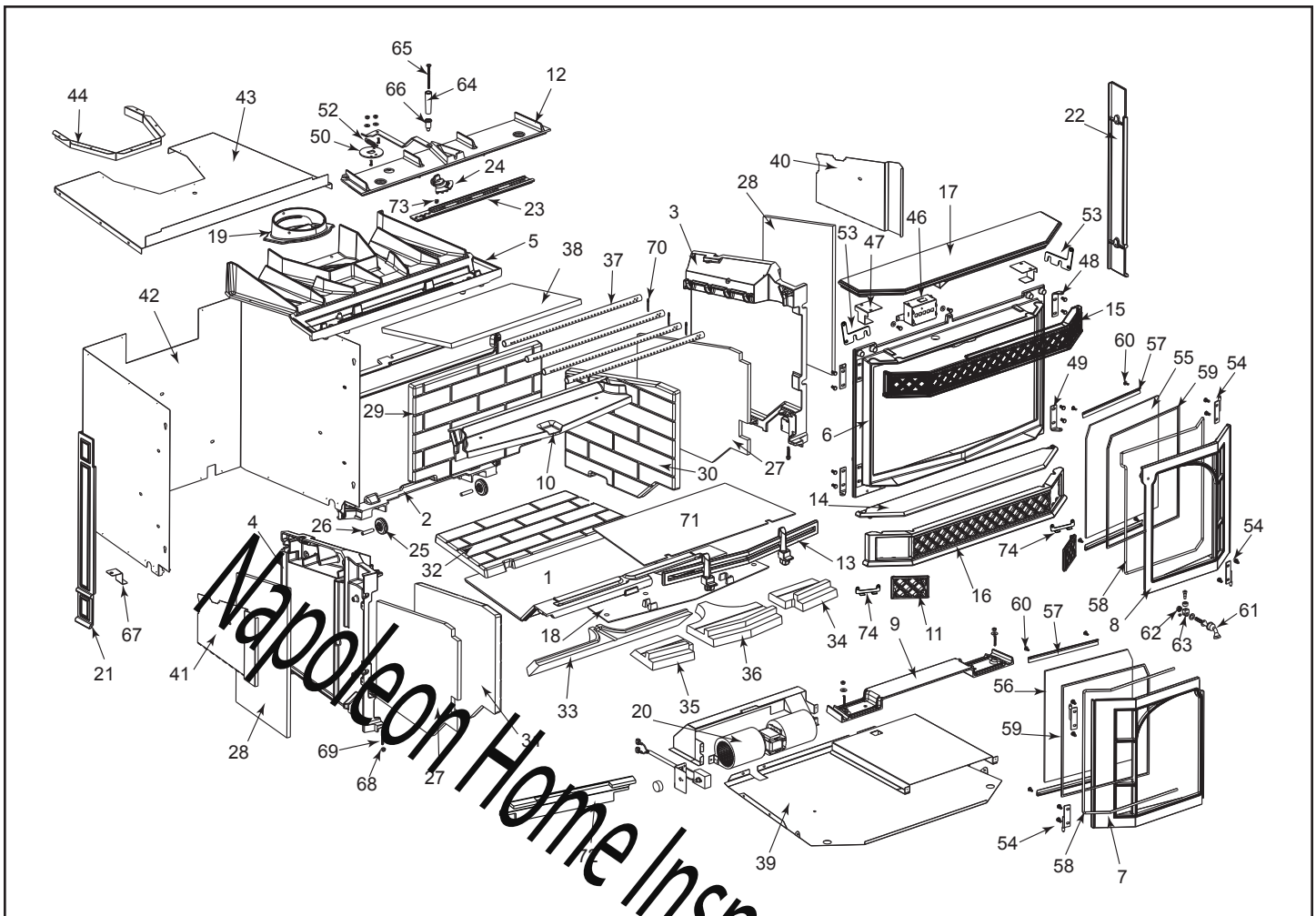
Northfield Cast Iron Surround	
Model	Color
NOXCSCB	Classic Black
Exeter Steel Surround	
Model	Color
EXSSCB	Classic Black

Northfield Cast Iron Surround

Exeter Steel Surround



Napoleon Home Inspections



Vermont Castings Group reserves the right to make changes in design, materials, specifications, prices and discontinue colors and products at any time, without notice.

Merrimack Large Insert

Ref.	Description	Part Number
1.	Bottom	30004620
2.	Back	30004621
3.	End, Right	30004622
4.	End, Left	30004623
5.	Top	30004624
6.	Front	30004625
7.	Door, Left	Refer to Enamel Chart
8.	Door, Right	Refer to Enamel Chart
9.	Base Plate	30004628
10.	Air Manifold	30004629
11.	Door, Access	Refer to Enamel Chart
12.	Cover Plate, Top	30004631
13.	Andiron	30004635
14.	Ashlip	Refer to Enamel Chart
15.	Lattice Front, Top	Refer to Enamel Chart
16.	Lattice Front, Bottom	Refer to Enamel Chart

Ref.	Description	Part Number
17.	Mantel	Refer to Enamel Chart
18.	Air Cover Plate	30004640
19.	Collar, Flue	30004317
20.	Fan Kit Assy	30004669
20a.	Replacement Blower Only	30004412
20b.	Snapstat Wire Assy.	30004406
20c.	Rheostat and Wire Assy.	30004407
20d.	Power Cord	1601482
20e.	Snapstat	30005236
20f.	D Knob	1604419
21.	Side Panel, Left	Refer to Enamel Chart
22.	Side Panel, Right	Refer to Enamel Chart
23.	Airplate	30004315
24.	Pinion	30004320
25.	Wheel	30004319
26.	Shaft, Wheel	30004318

Merrimack Large Insert (continued)

Ref.	Description	Part Number
27.	Insulation, Int. End	30004649
28.	Insulation, Ext. End	30004648
29.	Brick, Back	30004641
30.	Brick, Right End	30004645
31.	Brick, Left End	30004646
32.	Brick, Bottom Low	30004642
33.	Brick, Bottom Slnt	30004643
34.	Brick, Bottom Upper Right	30004644
35.	Brick, Bottom Upper Left	30004955
36.	Brick, Bottom Center	30004956
37.	Tube A, Secondary Air	30004377
38.	Baffle	30004647
39.	Bottom Assy	30004662
40.	Right Side Shld, 2nd Air	30004396
41.	Left Side Shld, 2nd Air	30004404
42.	Shroud, Outer	30004665
43.	Top Shroud	30004660
44.	Flange, Flue Collar Surround	30004675
45.	Cover, Power Cord	30004379
46.	Automatic Air Setback Assy	30004999
47.	Bracket, Mantel	30004679
48.	Front Hinge, TR/BL	30004950
49.	Front Hinge, TL/BR	30004950
50.	Disk	30005050
51.	Throttle Lever	30005051

Ref.	Description	Part Number
52.	Spring	30005052
53.	Bracket, Upper Lattice	30004676
54.	Bracket, Door Hinge	30004947
55.	Glass, Right (IR coated)	30004654
56.	Glass, Left (IR coated)	30004655
57.	Glass Clip	30004957
58.	Gasket Fiberglass $\frac{3}{8}$ low D 6nd	1203589
59.	Gasket Fiberglass $\frac{3}{8}$ 4nd Blk	1203556
60.	Trs Hd PH 10-24 x $\frac{1}{2}$ -Z	1200998
61.	Front Steel Hd/Shaft-BNI-VER	30002717
62.	Nut Hex Jam $\frac{3}{8}$ -16 TOPLK-Z	1203290
63.	Pawl Assy Roller	30005157
64.	Handle Damper, Maple wood blk	1600664
65.	Pan Hd SL $\frac{1}{4}$ -20x3-Z	1201310
66.	Insert Lifter Handle -NI	1600650
67.	Fallaway Handle Bracket	30005048
68.	Nut Acorn $\frac{1}{4}$ -20-Z	1203118
69.	Ss soc $\frac{1}{4}$ -20x1 $\frac{1}{4}$ Cup Pt-SS	1200414
70.	Cotter Pin, $\frac{1}{8}$ "x1 $\frac{1}{4}$ " L-SS	30004405
71.	Insulation, Bottom	30004650
72.	Insulation, BHS	30004402
73.	Friction Spring	1201846
74.	Bracket, Access Door	30004949
75.	Bushing (bottom door hinge brckt)	30005225

Shell Enamel Parts - Merrimack Large Insert		
Part Name	Classic Black	Ebony
Door Left	30004626	30005193
Door Right	30004627	30005194
Door, Access	30004630	30005195
Ashlip	30004636	30005196
Lattice, Front, Top	30004637	30005197
Lattice, Front, Bottom	30004638	30005198
Mantel	30004639	30005199
Side Panel, Left	30004634	30005200
Side Panel, Right	30004673	30005201

LIMITED LIFETIME Warranty

For Vermont Castings Merrimack, Non-Catalytic Large Insert

Limited Lifetime Warranty

Vermont Castings Group warrants that all refractory brick and material used in this product will be warranted against deterioration not resulting from physical damage or overloading of the woodstove for the lifetime of this product. Coverage is provided only to the original purchaser.

Limited 3 Year Warranty

All cast iron parts are warranted for a period of three years against breakage, cracking or burn-through.

Limited 1 Year Warranty

The following part of the woodburning stove are warranted to be free of defects in material and workmanship for a period of one year from the date you receive it: The handles, glass door panels, door gasketing and porcelain finish. Any of these items found to be defective will be repaired or replaced at no charge, upon the return of the part with postage prepaid to a Vermont Castings Authorized Dealer.

Any parts repaired or replaced during the limited warranty period will be warranted under the terms of the limited warranty for a period not to exceed the remaining term of the original limited warranty or six (6) months, whichever is longer.

Exclusions & Limitations

1. This warranty is non-transferable.
2. This warranty does not cover misuse of the stove. Misuse includes overfiring, which will result if the stove is used in such a manner as to cause one or more of the plates to glow red. Overfiring can be identified later by warped plates and areas where the paint pigments has burned off. Overfiring in enamel stoves is identified by bubbling, cracking, chipping and discoloration of the porcelain enamel finish. Vermont Castings Group offers no warranty on chipping of enamel surfaces. Inspect your woodburning stove prior to accepting it for any damage to the enamel.
3. This warranty does not cover misuse of the stove as described in the Owners Guide, nor does it cover a stove which has been modified unless authorized by a Vermont Castings Group representative in writing. This warranty does not cover damage to the stove caused by burning salt saturated wood, chemically treated wood, or any fuel not recommended in the Owners Guide.
4. This warranty does not cover a stove repaired by someone other than a Vermont Castings Authorized Dealer.
5. Damage to the unit while in transit is not covered by this warranty but is subject to a claim against the common carrier. Contact Vermont Castings Authorized Dealer from whom you purchased your stove or Vermont Castings Group if the purchase was direct. (Do not operate the stove as this may negate the ability to process the claim with the carrier).

6. Claims are not valid where the installation does not conform to local building and fire codes or, in their absence, to the recommendations in our Owners Guide.
7. The salt air environment of coastal areas, or a high-humidity environment, can be corrosive to the porcelain enamel finish. These conditions can cause rusting of the cast iron beneath the porcelain enamel finish, which will cause the porcelain enamel finish to flake off. This warranty does not cover damage caused by a salt air or high-humidity environment.
8. Vermont Castings Group shall have no obligation to enhance or update any unit once manufactured.

IN NO EVENT SHALL Vermont Castings Group BE LIABLE FOR INCIDENTAL AND CONSEQUENTIAL DAMAGES. ALL IMPLIED WARRANTIES, INCLUDING THE IMPLIED WARRANTIES OF MERCHANTABILITY AND FITNESS, ARE LIMITED TO THE DURATION OF THIS WRITTEN WARRANTY. THIS WARRANTY SUPERCEDES ALL OTHER ORAL OR WRITTEN WARRANTIES.

Some states do not allow the exclusion or limitations of incidental and consequential damages or limitations on how long an implied warranty lasts, so the above limitations may not apply to you. This warranty gives you specific rights and you may have other rights, which vary from state to state.

How to Obtain Service

If a defect is noted within the warranty period, the customer should contact a Vermont Castings Authorized Dealer or Vermont Castings Group if the purchase was direct with the following information:

1. Name, address, and telephone number of the purchaser
2. Date of Purchase.
3. Serial number from the label on the back
4. Nature of the defect or damage.
5. Any relevant information or circumstances, e.g., installation, mode of operation when defect was noted.

A warranty claim will then start in process. Vermont Castings Group reserves the right to withhold final approval of a warranty claim pending a visual inspection of the defect by authorized representatives.

Napoleon Home Inspections

Napoleon Home Inspections

VERMONT
CASTINGS

352 Mountain House Road • Halifax, PA 17032
www.vermontcastings.com